



EcoTap (Deck-Mounted)

A high speed hand dryer that is hidden below deck with only the spout affixed to the wash basin, which creates a new clutter-free washroom experience. Users can dry their hands right after they wash them. EcoTap also simplifies the cleaning process because all water goes into the basin. EcoTap is ideal for construction projects. Designers can customized the spout to match any washroom.



HIGH SPEED RANGE

Why EcoTap?

Specs

air speed 84-101 m/s

standby power 0.3-0.4w

1kW only

IP35

carbon filter assembly

Design

intelligent temperature control technology

smart air outlet design

gradient led light

sound & power adjustment

standard deck opening diameter: 35mm

In Use

10-15 seconds drying time

save more than 80% of energy cost

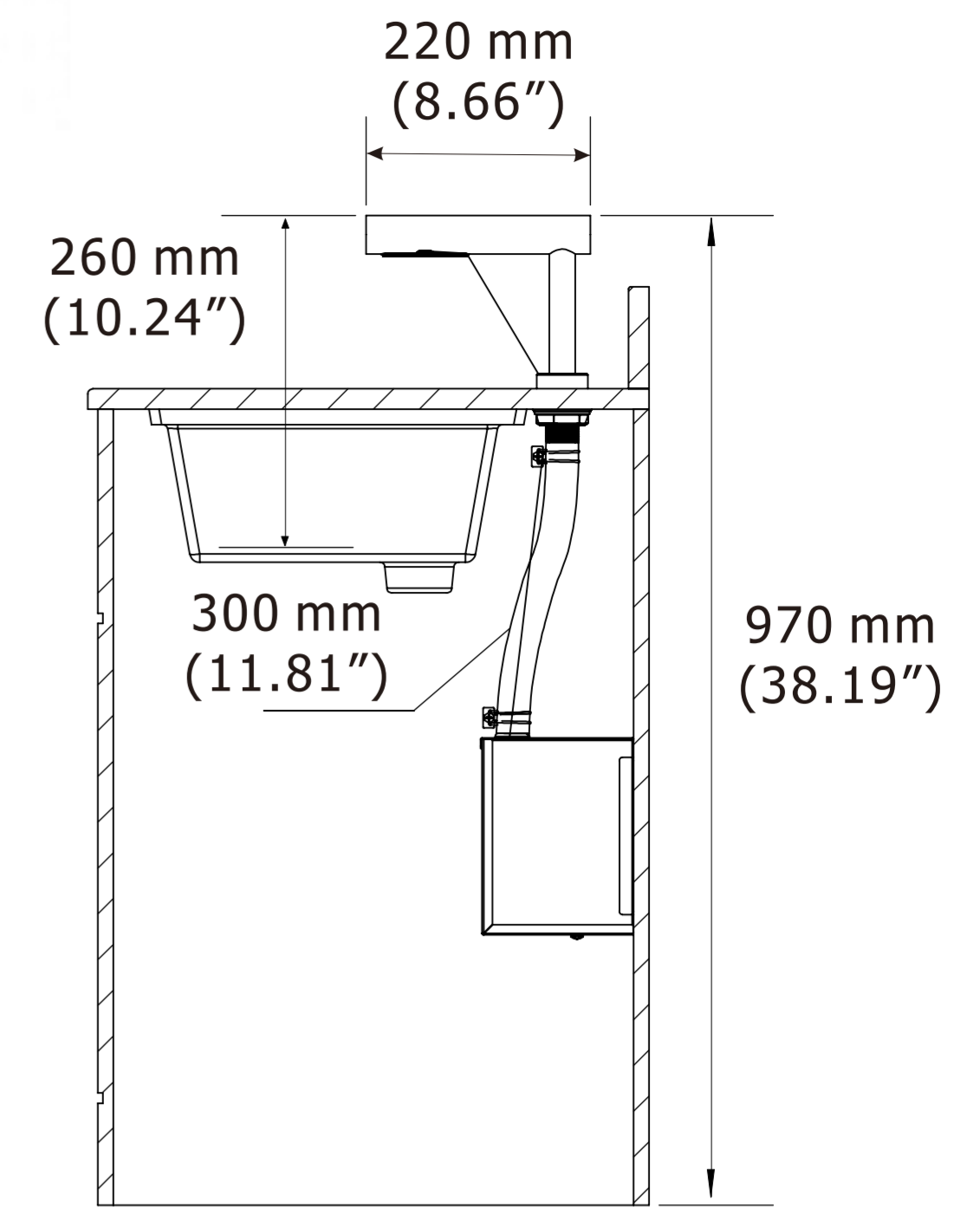
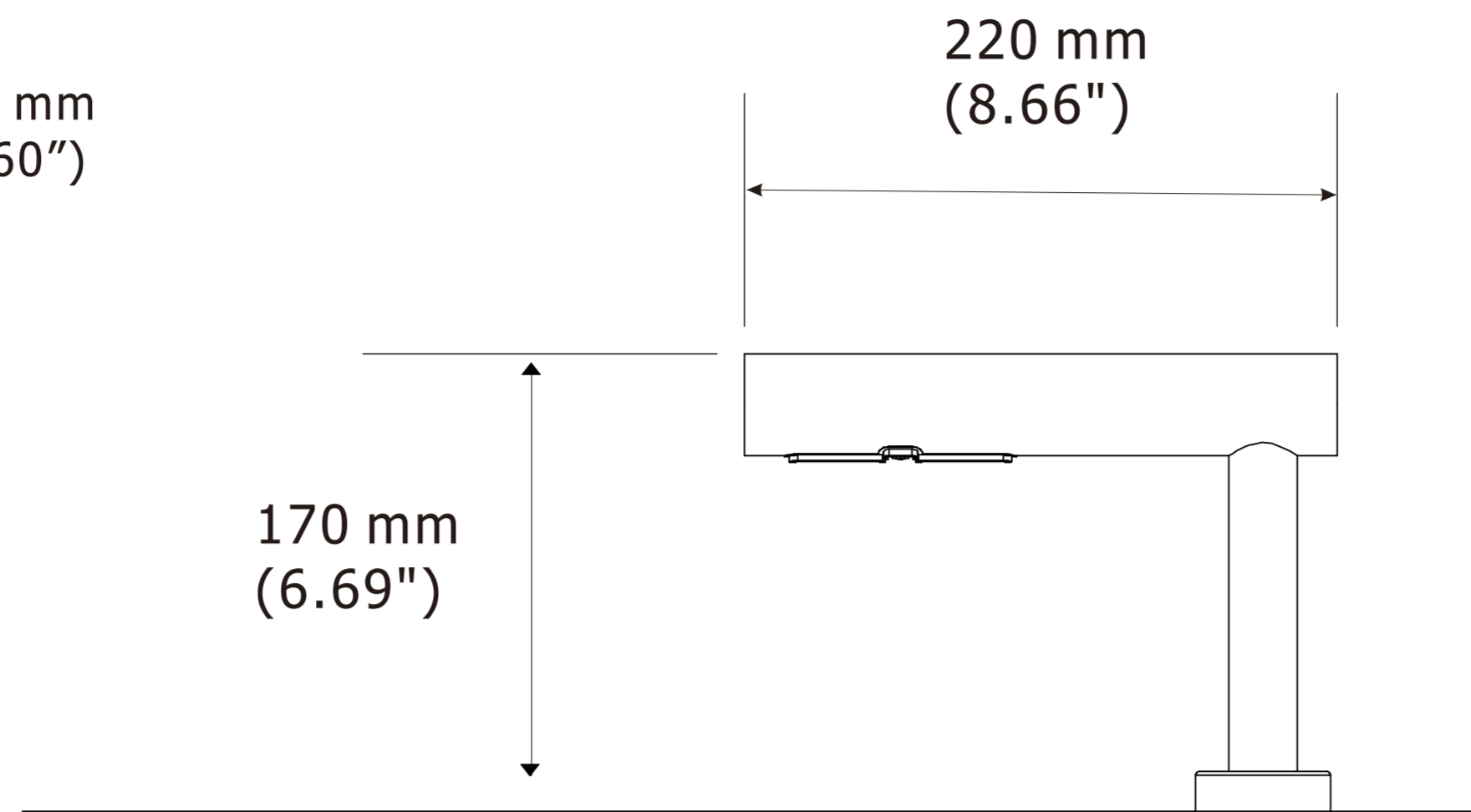
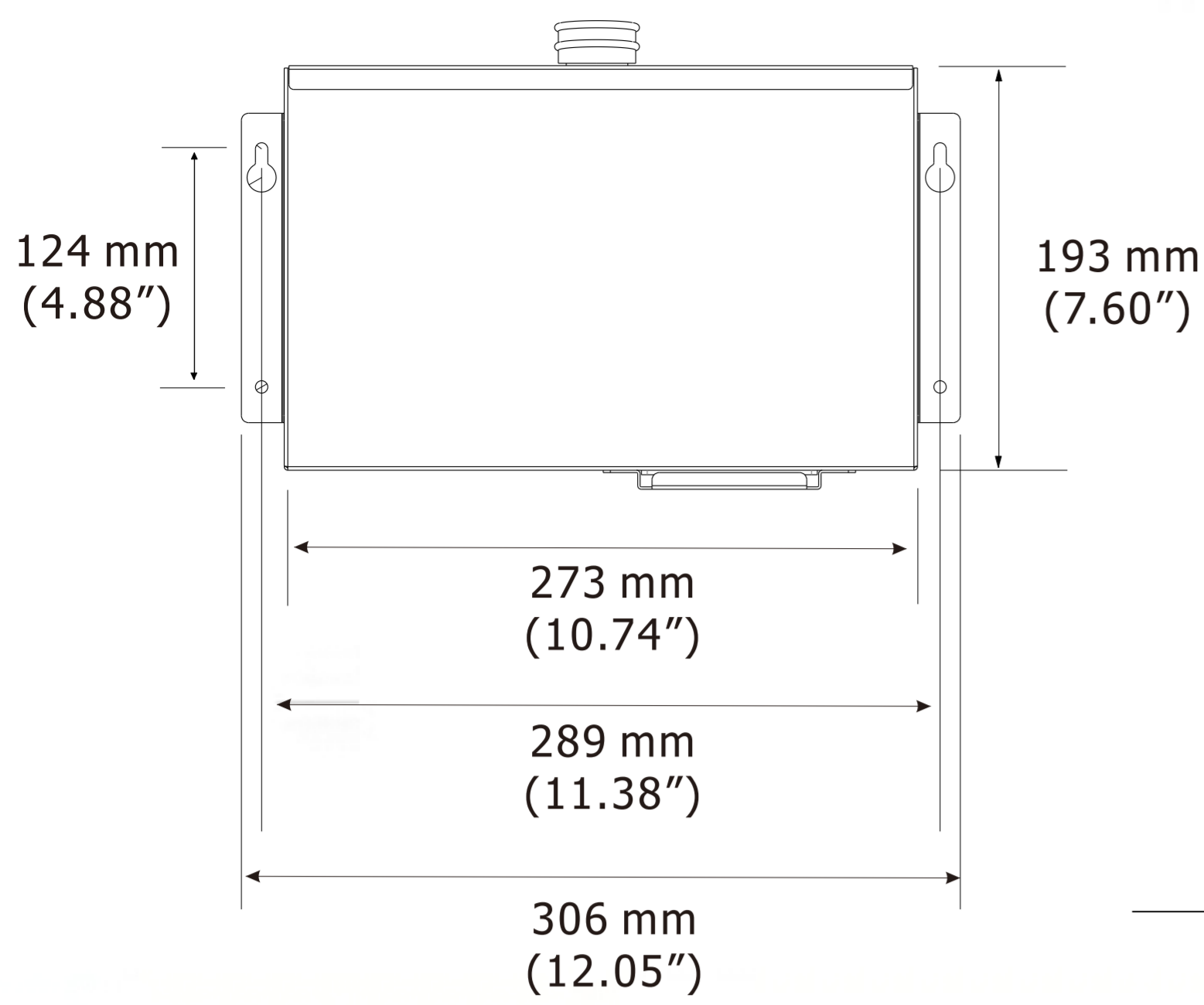
three safety protections

60s timing protection

easy to clean

easy maintenance

Specification



Demonstration only. Dimensions depending on desk thickness.

Cover Finish	Satin Finish
Cover Material	Stainless Steel
Packaging (carton)	1 dryer/carton. Gross weight 8.1kg. Measurement 1.6'
Drying Time	Less than 10-15 seconds
Operating Voltage	110V-120Vac, 50/60 Hz, 0.84-1.0kW 220V-240Vac, 50/60 Hz, 0.84-1.0kW
Motor Wattage	500W
Standby Power	0.3-0.4W
Air Speed	84-101 m/s, Adjustable
Sound Level	MIN 58.8 dB to 62.9 dB MAX @ 1m
Sensing Range	130 mm ± 20 mm, Adjustable
Drip Proof	IP35
Timing Protection	60 seconds auto shut off
Motor Thermal Protection	Auto resetting thermostat turns unit off, 120V at 135°C(275°F), 240V at 95°C(203°F)
Heater Thermal Protection	Auto resetting thermostat turns unit off at 85°C(185°F) Thermal fuse cuts unit off at 142°C(288°F)

Safety Approvals



WEEE RoHS

